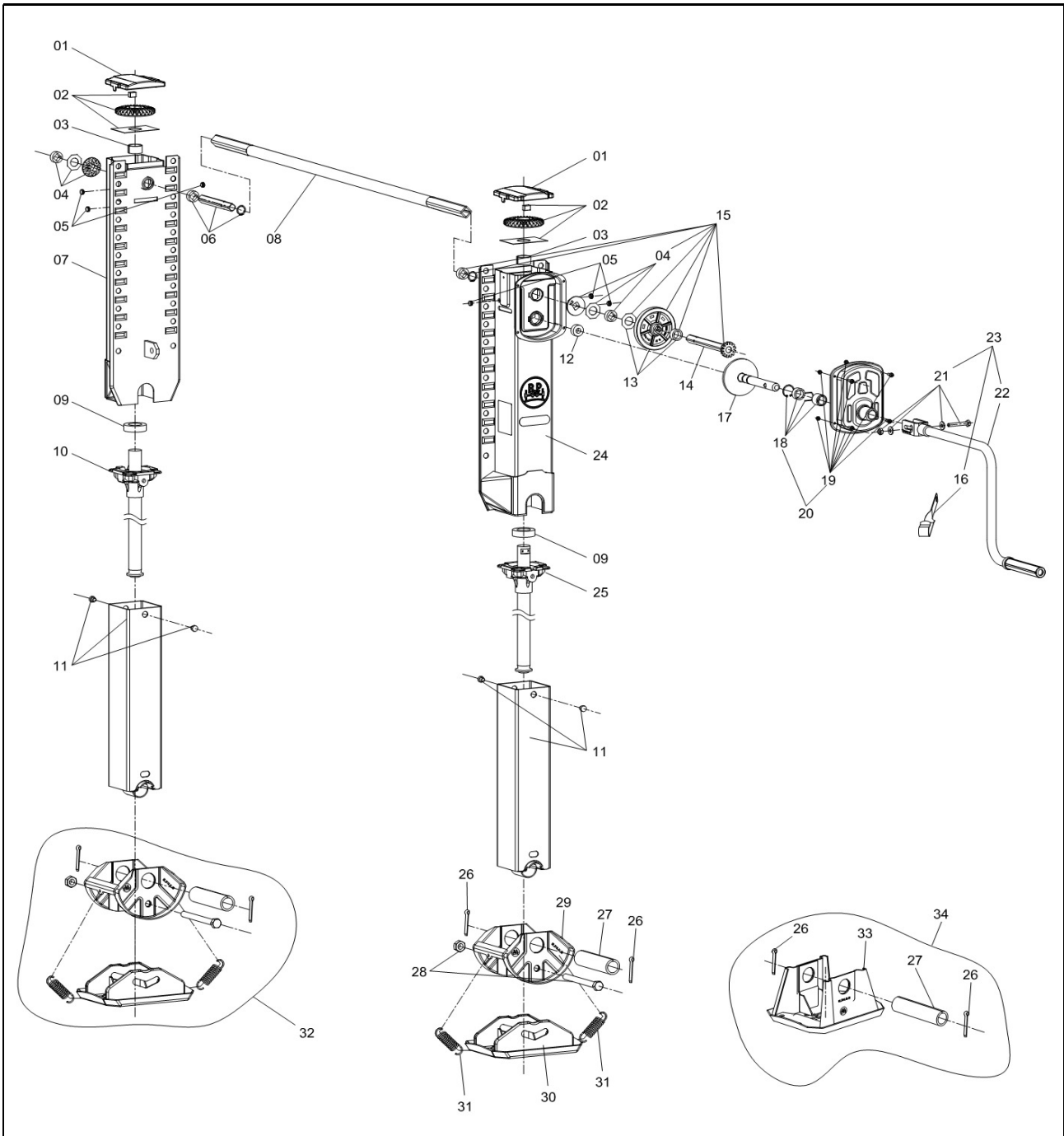




SPARE PARTS



Item	Description	Order No.	Comment
01	Cover	OV 320.00.0.07	
02	Big bevel gear group	OV 320.00.0.06-00	
03	Bush	OV 320.00.0.13	
04	Small bevel gear group	OV 320.00.0.05-00	
05	Plastic cap group	OV 320.00.0.19-00	
06	Shaft group for landing leg without gear	OV 321.00.0.01-00	
07	Main body landing leg without gear	OV 321.01.0.00-650	
07	Main body landing leg without gear	OV 321.01.0.00-700	
07	Main body landing leg without gear	OV 321.01.0.00-750	
07	Main body landing leg without gear	OV 321.01.0.00-800	
07	Main body landing leg without gear	OV 321.01.0.00-850	
07	Main body landing leg without gear	OV 321.01.0.00-900	



Item	Description	Order No.	Comment
08	Shaft	OV 327.00.0.00-1500	
09	Axial bearing	932.01	
10	Spindle for landing leg without gear	OV 320.05.0.00-650-Sansız	
10	Spindle for landing leg without gear	OV 320.05.0.00-700-Sansız	
10	Spindle for landing leg without gear	OV 320.05.0.00-750-Sansız	
10	Spindle for landing leg without gear	OV 320.05.0.00-800-Sansız	
10	Spindle for landing leg without gear	OV 320.05.0.00-850-Sansız	
10	Spindle for landing leg without gear	OV 320.05.0.00-900-Sansız	
11	Inner tube group	OV 320.02.0.00-650	
11	Inner tube group	OV 320.02.0.00-700	
11	Inner tube group	OV 320.02.0.00-750	
11	Inner tube group	OV 320.02.0.00-800	
11	Inner tube group	OV 320.02.0.00-850	
11	Inner tube group	OV 320.02.0.00-900	
12	Plastic bush	OV 320.00.0.04	
13	Gear group	OV 320.00.0.17-00	
14	Shaft	OV 320.03.0.00	
15	Shaft group	OV 320.03.0.00-00	With 4,13,14 numbered parts
16	Crank handle hook	OV 326.00.0.02	
17	Gear assy.	OV 320.04.0.00	
18	Bush and circlip group for gear box	OV 320.00.0.02-00	
19	Gear box fixing group	OV 320.06.0.00	
20	Gear box group	OV 320.06.0.00-00	With 18 and 19 numbered parts
21	Crank handle fixing group	-	
22	Crank handle	OV 326.01.0.00-00	
23	Crank handle group	OV 326.00.0.00	With 16,21,22 numbered parts
24	Main body landing leg with gear	OV 320.01.0.00-650	
24	Main body landing leg with gear	OV 320.01.0.00-700	
24	Main body landing leg with gear	OV 320.01.0.00-750	
24	Main body landing leg with gear	OV 320.01.0.00-800	
24	Main body landing leg with gear	OV 320.01.0.00-850	
24	Main body landing leg with gear	OV 320.01.0.00-900	
25	Spindle for landing leg with gear	OV 320.05.0.00-650-Sanlı	
25	Spindle for landing leg with gear	OV 320.05.0.00-700-Sanlı	
25	Spindle for landing leg with gear	OV 320.05.0.00-750-Sanlı	
25	Spindle for landing leg with gear	OV 320.05.0.00-800-Sanlı	
25	Spindle for landing leg with gear	OV 320.05.0.00-850-Sanlı	
25	Spindle for landing leg with gear	OV 320.05.0.00-900-Sanlı	
26	Cotter	-	
27	Foot shaft group	OV 325.00.0.04-00	
28	S foot fixing group	OV 325.00.0.02-00	
29	Foot assy.	OV 325.02.0.00	
30	Foot assy.	OV 325.01.0.00	
31	Spring	OV 325.00.0.05	
32	S foot group	OV 325.00.0.00	With 26,27,28,29,30,31 numbered parts
33	Foot assy.	OV 322.01.0.00	
34	T foot group	OV 322.00.0.00	With 26,27,33 numbered parts