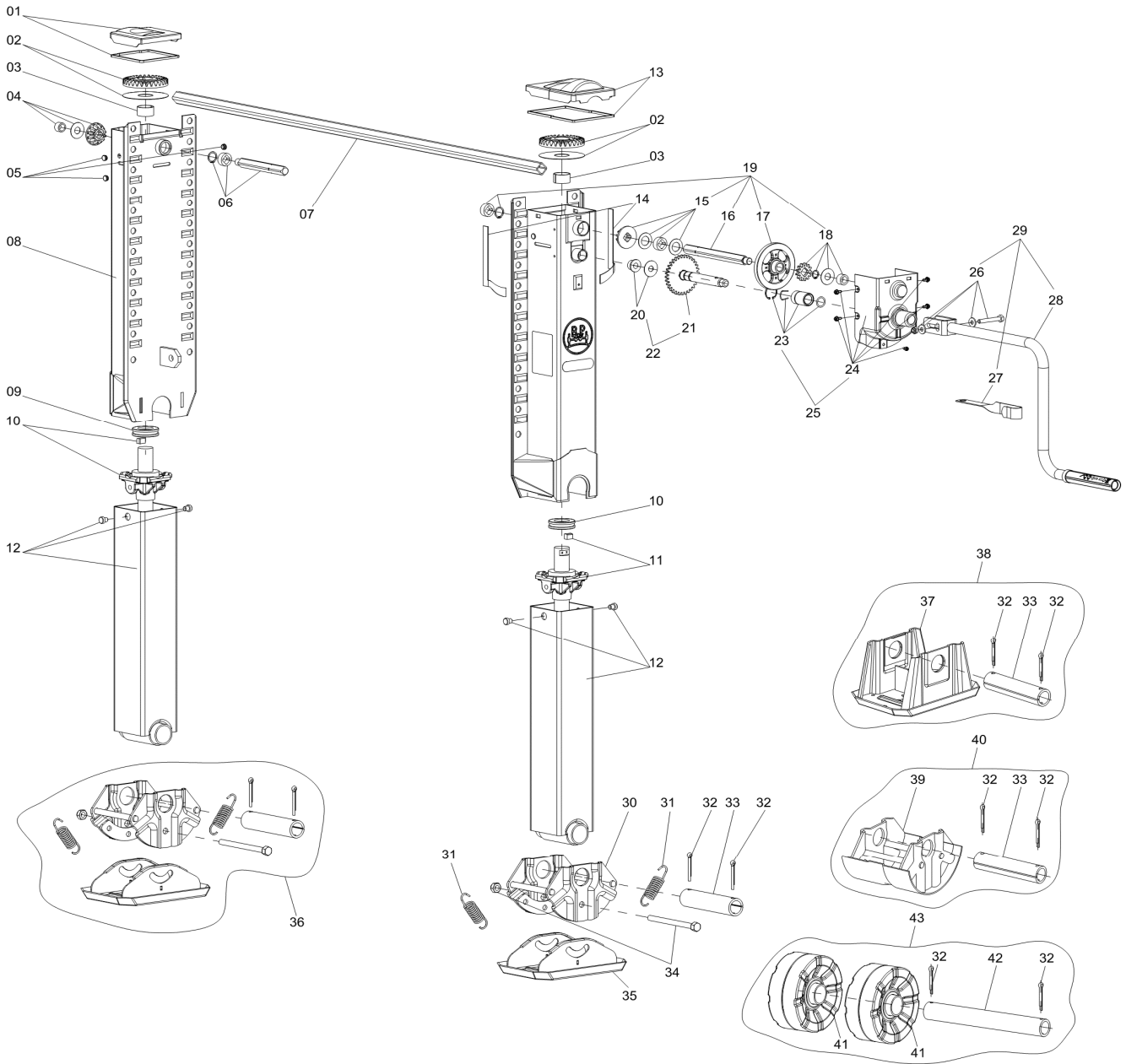




**SPARE PARTS**



Item	Description	Order No.	Comment
01	Cover and sealing	OV 316.00.0.01-00	
02	Big bevel gear group	OV 315.00.0.18-00	
03	Bush	OV 315.00.0.21	
04	Small bevel gear group	OV 316.00.0.04-00	
05	Plastic cap group	OV 315.00.0.34-00	
06	Shaft group for landing leg without gear	OV 316.00.0.03-00	
07	Shaft	OV 327.00.0.00-1500	
08	Main body landing leg without gear	OV 316.01.0.00-650	
08	Main body landing leg without gear	OV 316.01.0.00-700	
08	Main body landing leg without gear	OV 316.01.0.00-750	
08	Main body landing leg without gear	OV 316.01.0.00-800	
08	Main body landing leg without gear	OV 316.01.0.00-850	
09	Axial bearing	OV 315.00.0.23	
10	Spindle for landing leg without gear	OV 316.05.0.00-650	
10	Spindle for landing leg without gear	OV 316.05.0.00-700	
10	Spindle for landing leg without gear	OV 316.05.0.00-750	
10	Spindle for landing leg without gear	OV 316.05.0.00-800	
10	Spindle for landing leg without gear	OV 316.05.0.00-850	



Item	Description	Order No.	Comment
11	Spindle for landing leg with gear	OV 315.05.0.00-650	
11	Spindle for landing leg with gear	OV 315.05.0.00-700	
11	Spindle for landing leg with gear	OV 315.05.0.00-750	
11	Spindle for landing leg with gear	OV 315.05.0.00-800	
11	Spindle for landing leg with gear	OV 315.05.0.00-850	
12	Inner tube group	OV 315.02.0.00-650	
12	Inner tube group	OV 315.02.0.00-700	
12	Inner tube group	OV 315.02.0.00-750	
12	Inner tube group	OV 315.02.0.00-800	
12	Inner tube group	OV 315.02.0.00-850	
13	Cover and sealing with gearbox	OV 315.00.0.06-00	
14	Gearbox cover sealing	OV 315.00.0.10-L-R	
15	Small bevel gear group with gear	OV 315.00.0.20-00	
16	Shaft	OV 315.00.0.04	
17	Cast gear	OV 315.00.0.16	
18	Small gear group with gearbox	OV 315.00.0.01-00	
19	Gear and shaft group	OV 315.00.0.04-00	
20	Plastic bush	OV 315.00.0.13-00	
21	Gear assy.	OV 315.03.0.00	
22	Gear assy. Group	OV 315.03.0.00-00	
23	Bush and circlip group for gear box	OV 315.00.0.11-00	
24	Gear box fixing group	OV 315.04.0.00-01	
25	Gear box group	OV 315.04.0.00-00	With 23 and 24 numbered parts
26	Crank handle fixing group	-	
27	Crank handle hook	OV 326.00.0.02	
28	Crank handle	OV 326.02.0.00-00	
29	Crank handle group	OV 326.00.0.00-Y	With 26,27,28 numbered parts
30	Foot assy.	OV 317.02.0.00	
31	Spring	OV 317.00.0.05	
32	Split pin	OV 317.00.0.03	
33	Foot sahft	OV 317.00.0.02	
34	S foot fixing group	OV 317.00.0.01-00	
35	Foot assy.	OV 317.01.0.00	
36	S foot group	OV 317.00.0.00	With 30,31,32,33,34,35 numbered parts
37	Foot assy.	OV 322.01.0.00	
38	T foot group	OV 322.00.0.00	With 32,33,37 numbered parts
39	Foot assy.	OV 323.01.0.00	
40	A foot group	OV 323.00.0.00	With 32,33,39 numbered parts
41	Foot assy.	OV 324.01.0.00	
42	Foot sahft	OV 324.00.0.01	
43	R foot group	OV 324.00.0.00	With 32,41,42 numbered parts