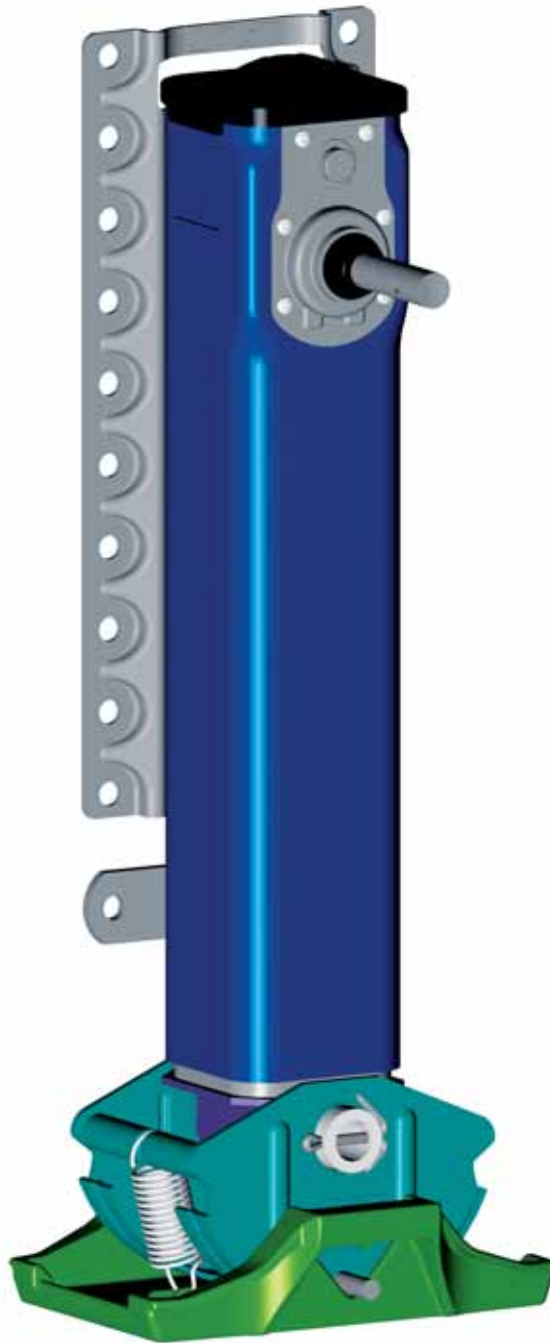


# L500



[www.jost-world.com](http://www.jost-world.com)

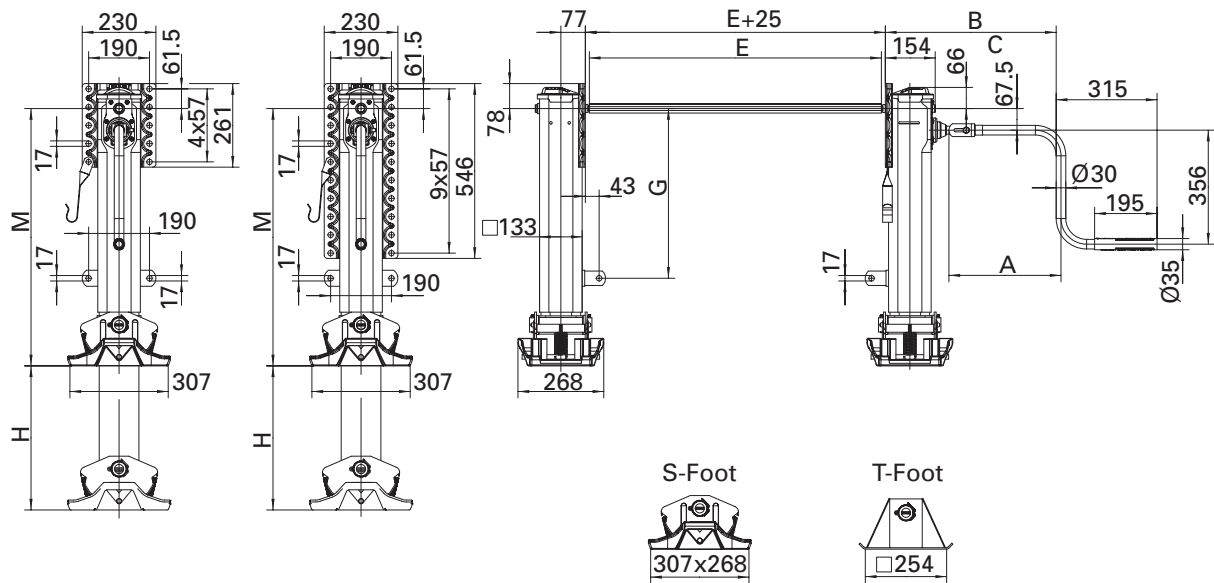
## Reliable and powerful!

- patented drive on the inside
- landing gear that can be used universally
- accessories and spare parts are usually compatible with the Modul B series
- all three plate positions are available
- all commonly-used mounting heights
- S- and T foot

**JOST**

# L500

## Technical Specifications



The slide for foot variant S is 125mm

### Selection table / Versions available

#### S-Foot

Order No.	M (mm)	H (mm)	A (mm)	Back plate
L500S700-1	700	350	430	upper
L500S700-2*	700	350	-	lower
L500S700-3*	700	350	-	constant
L500S750-1	750	400	480	upper
L500S750-2*	750	400	-	lower
L500S750-3*	750	400	-	constant
L500S800-1	800	450	530	upper
L500S800-2*	800	450	-	lower
L500S800-3	800	450	530	constant
L500S850-1	850	500	580	upper
L500S850-2	850	500	580	lower
L500S850-3	850	500	580	constant

#### T-Foot

Order No.	M (mm)	H (mm)	A (mm)	Back plate
L500T690-1	690	350	430	upper
L500T690-2*	690	350	-	lower
L500T690-3*	690	350	-	constant
L500T740-1	740	400	480	upper
L500T740-2*	740	400	-	lower
L500T740-3*	740	400	-	constant
L500T790-1	790	450	530	upper
L500T790-2*	790	450	530	lower
L500T790-3	790	450	530	constant
L500T840-1	840	500	580	upper
L500T840-2	840	500	580	lower
L500T840-3	840	500	580	constant

\* There is no screw-on bracket available.

### Technical Data (per set)

Characteristic	Value
Lifting capacity	24 t
Static load	50 t
Lift per turn of handle	
- Low gear	0,9 mm
- High gear	15,0 mm
Crank force at 16t super imposed load	210 N

Please order cranks and V-shaft separately (Analogue ordering system module).

More information regarding our range of products can be found at [www.jost-world.com](http://www.jost-world.com)

**JOST**

**R**  
ROCKINGER

**REGENSBURGER**  
ZUGGABEL

**TRIDEC**